

# TANDO™ - SPECIAL CASES INSTALLATION GUIDE

## APPLICATION OVER MASONRY, STUCCO OR CONCRETE MASONRY UNITS

**CAUTION: THIS GUIDE IS PROVIDED FOR INFORMATION PURPOSES ONLY WHEN INSTALLING TANDO PRODUCTS OVER MASONRY, STUCCO OR CMU SUCH AS A POURED FOUNDATION WALL. ALWAYS CHECK WITH LOCAL AUTHORITIES AND THE CURRENT BUILDING CODE FOR WATER PROTECTION AND INSULATION REQUIREMENTS BEFORE BEGINNING INSTALLATION OF TANDO PRODUCTS.**

### PREP WORK: WEATHER PROOFING/INSULATING

Proper weather resistant barrier system should be applied to the area prior to installation of Tando products. If insulative foam panels are to be used and depending on the type and purpose of the insulative foam panels, these may need to be installed directly to the masonry wall or fastened to furring strips previously applied on wall. Please consult with the insulative foam panels manufacturer for best practices.

### PREP WORK: FURRING STRIPS

To install Tando products over masonry, stucco or CMU wall, the use of furring strips is required. Furring strips or 1"x3" (2.54cm x 7.62cm) boards (for best performance, pressure treated lumber should be used) are fastened to the masonry wall where Tando products are to be applied. Furring strips should be placed vertically and spaced 8" (20.32cm) center to center. It is important the furring strips are plumb prior to installing Tando products. Mark all locations you need for each vertical furring strip as well as furring material around each door, window and other penetrations. (Figure 1)

Note: Some custom flashing trim may be needed around those locations to properly hide furring strips and keep a good looking finish.

Using masonry nails and/or screws (pre-drilling may be required – refer to the fastener manufacturer guidelines) to install all furring strips on wall. Fasteners should be of sufficient length to be driven at least 3/4" (1.91cm) or more into the foundation wall. A fastener that is driven directly into stucco or insulated boards will not hold properly. (Figure 2)

Keep in mind that additional nailing blocks cut from furring strip material may need to be installed at the areas where the lateral nailing slot is on your installation if they don't fall on a vertical furring strip. It is recommended that you dry fit a panel first to see if additional blocks need to be added. (Figure 3)

### INSTALL TANDO PRODUCTS

Install Tando products on the furring strips according to the instructions in the product installation guide. All fasteners being used to install Tando products should be corrosion resistant and placed at least 3/4" (1.91cm) from the edge of the furring strips. You may need to shorten the fasteners length to 1" (2.54cm) if furring strips are applied directly to the masonry wall and to ensure that the nail head does not protrude too far out from the face of the panel. (Figure 4)

Figure 4

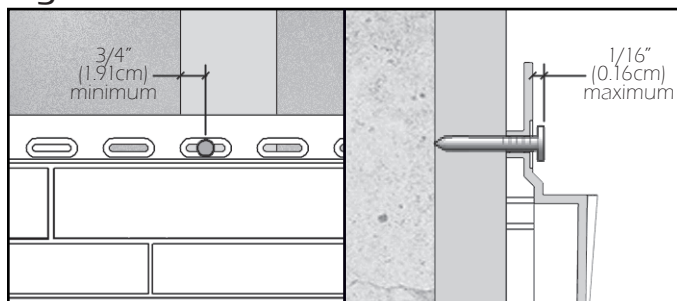


Figure 1

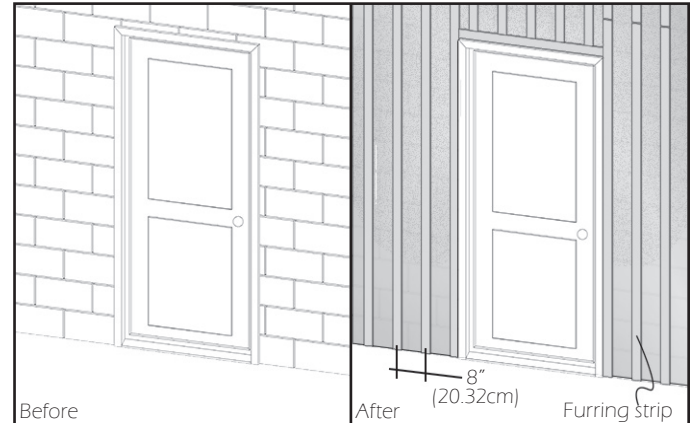


Figure 2

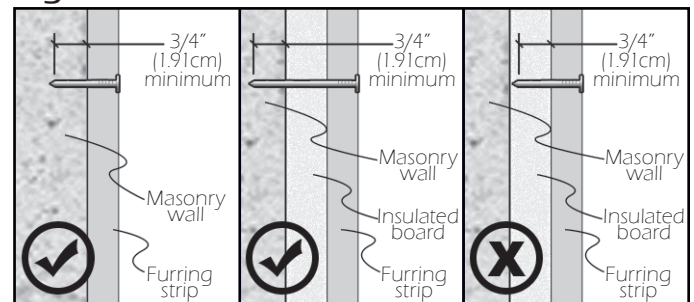


Figure 3

