



# RCPS

## Rebar Carport Saddles

The popular RCPS rebar carport saddle works as a cast in place or post-installed saddle for connecting posts to concrete. Now it has been redesigned with added features that offer greater installation flexibility and strength. Along with these design improvements, the RCPS is also available in a black powder-coat for applications that call for a more finished look.

**Features:**

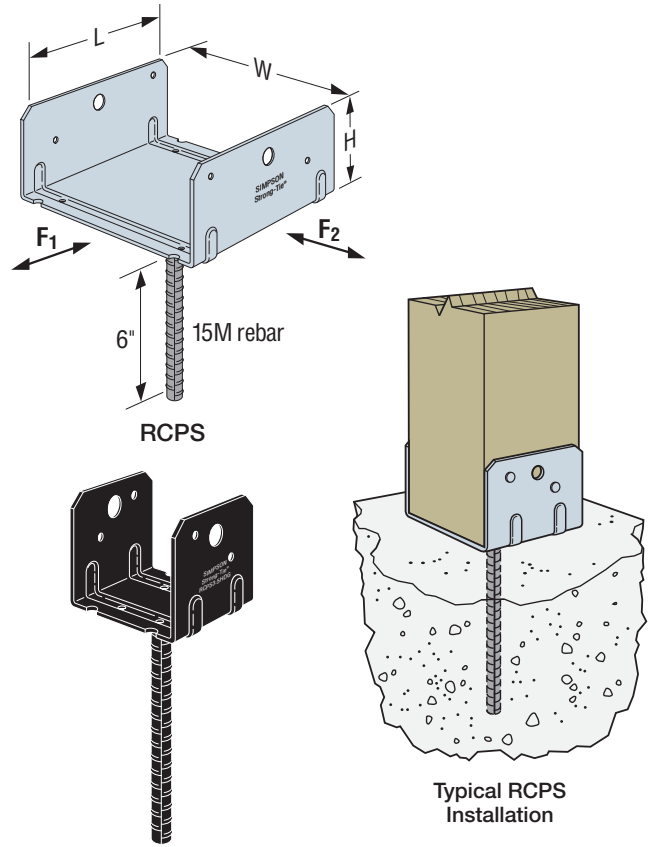
- Meets the intent of 9.23.6.2.1 of the National Building Code of Canada 2015 for resisting uplift and lateral movement
- Hot-dipped galvanization provides additional corrosion protection
- Chamfered corners create a sleeker-looking product
- Steel embossments provide added strength
- Drainage outlets help reduce the possibility of water accumulation that can potentially rot the post

**Material** RCPS — 14 gauge;  
RCPS7.5HDG, RCPS8HDG — 12 gauge

**Finish:** RCPS — HDG; RCPSxxHDGPC — Black, powder-coat finish over HDG; available in 3.5, 4, 5.5 and 6 sizes

**Installation:**

- Use all specified fasteners; see General Notes.
- Post bases do not provide adequate resistance to prevent members from rotating about the base and therefore are not recommended for non-top-supported installations (such as fences or unbraced carports).



These products are available with additional corrosion protection. For more information, see p. 20.

Model No.	Dimensions (in.)			Fasteners	Factored Resistance ( $K_D = 1.15$ )					
	W	L	H		D.Fir-L			S-P-F		
					Uplift	F <sub>1</sub>	F <sub>2</sub>	Uplift	F <sub>1</sub>	F <sub>2</sub>
					lb.	lb.	lb.	lb.	lb.	lb.
					kN	kN	kN	kN	kN	kN
RCPS3.5HDG	3½	3¾	3	(4) 16d	990	615	1050	705	570	960
					4.40	2.74	4.67	3.14	2.54	4.27
RCPS4HDG	4½	3¾	3	(4) 16d	990	615	1050	705	570	960
					4.40	2.74	4.67	3.14	2.54	4.27
RCPS46HDG	4½	5¾	3	(4) 16d	990	615	1050	705	570	960
					4.40	2.74	4.67	3.14	2.54	4.27
RCPS4.5HDG	4½	3¾	3	(4) 16d	990	615	1050	705	570	960
					4.40	2.74	4.67	3.14	2.54	4.27
RCPS5.5HDG	5½	5¾	3	(4) 16d	990	615	1050	705	570	960
					4.40	2.74	4.67	3.14	2.54	4.27
RCPS6HDG	6½	5¾	3	(4) 16d	990	615	1050	705	570	960
					4.40	2.74	4.67	3.14	2.54	4.27
RCPS7.5HDG	7½	7¾	3	(4) 16d	990	615	1050	705	570	960
					4.40	2.74	4.67	3.14	2.54	4.27
RCPS8HDG	8½	7¾	3	(4) 16d	990	615	1050	705	570	960
					4.40	2.74	4.67	3.14	2.54	4.27

1. Factored resistances have been increased 15% for seismic or wind loading with no further increase allowed; reduce where other loads govern.  
 2. Structural composite lumber columns have sides that show either the wide face or the edges of the lumber strands/veneers. Values in the table reflect installation into the wide face (see technical bulletin T-SCLCLMCAN at [strongtie.com](http://strongtie.com) for details).  
 3. Factored resistances shown assume dry service condition ( $K_{SF} = 1.00$ ). Multiply table values by 0.67 under wet service conditions.  
 4. **Nails:** 16d = 0.162" dia. x 3½" long. See pp. 22–24 for other nail sizes and information.